



GAMMON TECHNICAL PRODUCTS, INC.
P.O. BOX 400 - 2300 HWY 34
MANASQUAN, N.J. 08736

PHONE 732-223-4600
FAX 732-223-5778

WEBSITE www.gammontech.com
STORE www.gammontechstore.com

**GAMMON
WATER
PROBE**
**BULLETIN 160
(08-19)**

GAMMON ONE-CC™ WATER PROBE

DETECTS WATER IN FILTER SEPARATOR SUMPS
PERIODIC TESTING REQUIRES ONLY 1cc OF WATER

Note: Does not include intrinsically safe control - use only with GTP-1750 or Meggitt/Whittaker Control System (see Bulletin 67)

The Problem with Water Detector Probes has always been that they are impossible to test periodically without injecting water into the vessel. People have been afraid that too much water may be injected. The One-CC Probe solves this simply. First, it has a new, unique design that only needs 1 ml (1cc) of water for a complete test. Second, it has a built-in water pump, and this pump is only capable of injecting 1 ml (1 cc) of water.

The One-CC™ Water Detector Probe is designed for use in any intrinsically safe electronic system. This new probe can therefore replace existing probes in Meggitt/Whittaker/Thiem/Parker equipment.

We also offer our own electronic controls in DC, AC, weather tight and explosion proof versions. They are also available with intrinsically safe Deadman handles.

See Bulletin 67.

Pressures to 300 psi

Stainless Steel Construction

Available with 3/4" N.P.T. male connection

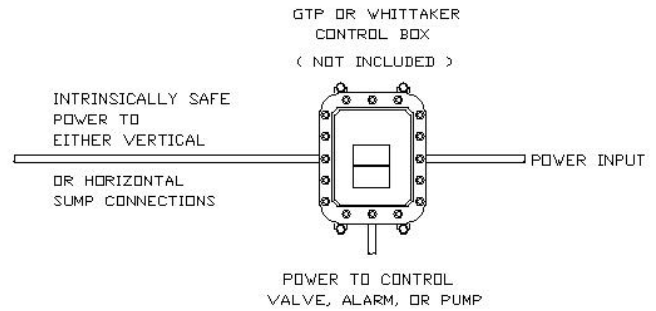
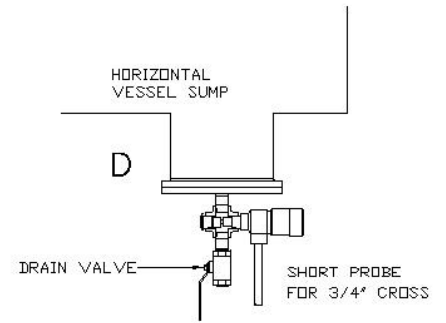
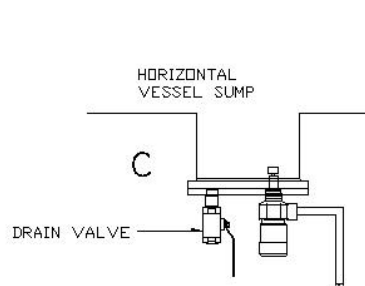
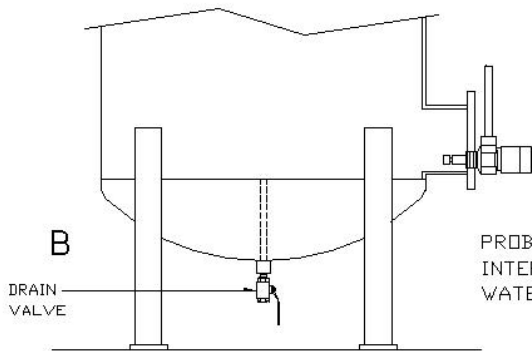
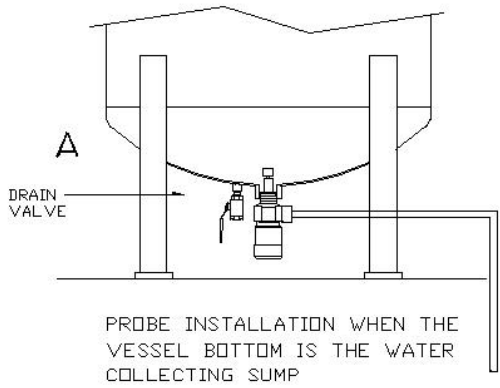
Also Available with 1 1/2" N.P.T. to replaces existing Whittaker probes.

Fool-proof design insures that the fuel system cannot be operated after a test unless the technician has performed simple post-test procedures.

US Patent No. 7523645



INSTALLATION



HOW TO ORDER

| | |
|-------------|------------|
| GTP-9330-1 | 3/4" NPT |
| GTP-9330-1A | 1 1/2" NPT |

For AC and DC powered systems, see Bulletin 67.

TEST PROCEDURE

See the Water Probe manual on our website for instructions.