



GAMMON TECHNICAL PRODUCTS, INC.

P.O. BOX 400 - 2300 HWY 34
 MANASQUAN, N.J. 08736

PHONE 732-223-4600
 FAX 732-223-5778

WEBSITE www.gammontech.com
 STORE www.gammontechstore.com

**AMETEK HUNTER
 SPRING STATIC
 BONDING REEL**

**BULLETIN 54
 (6-18)**

STATIC BONDING REELS

FEATURES

- For heavy-duty applications
- Automatic retraction
- Weather-resistant finish
- 100 amp alligator clamp termination



DESCRIPTION

Static Bonding Reels provide the automatic retraction and compact storage of 50, 75, and 100 foot cable and clamp assemblies. Designed to function under extreme environmental conditions, the 50 and 75 foot cable length models meet USAF specification MIL-R-83232B.

A patented latching mechanism holds the cable at any desired length. A slight pull on the cable releases the mechanism causing retraction. Retraction need not be attended. The retraction speed is automatically governed by a special brake assembly designed to limit the retraction speed from two to seven feet per second. Steel components and a cantilever-type frame, which support the reel assembly, are designed to function under the most adverse conditions. Baked-on MIL spec red finish and gasketed drum construction protect operating parts from corrosion. Bearing surfaces are permanently lubricated.

SPECIFICATIONS

CABLE LENGTH
Model ML-2930-15 50 feet
Model ML-2930-14 75 feet
Model ML-3416-2 100 feet

CABLE DIAMETER
 See the back of this page to review the different cable clamp options.

CABLE CLAMP
 See the back of this page to review the different cable clamp options.

ELECTRICAL RESISTANCE: 10 ohms maximum between clamp and mounting base on all three models

LIFE CYCLE: Tested to 5,000 cycles

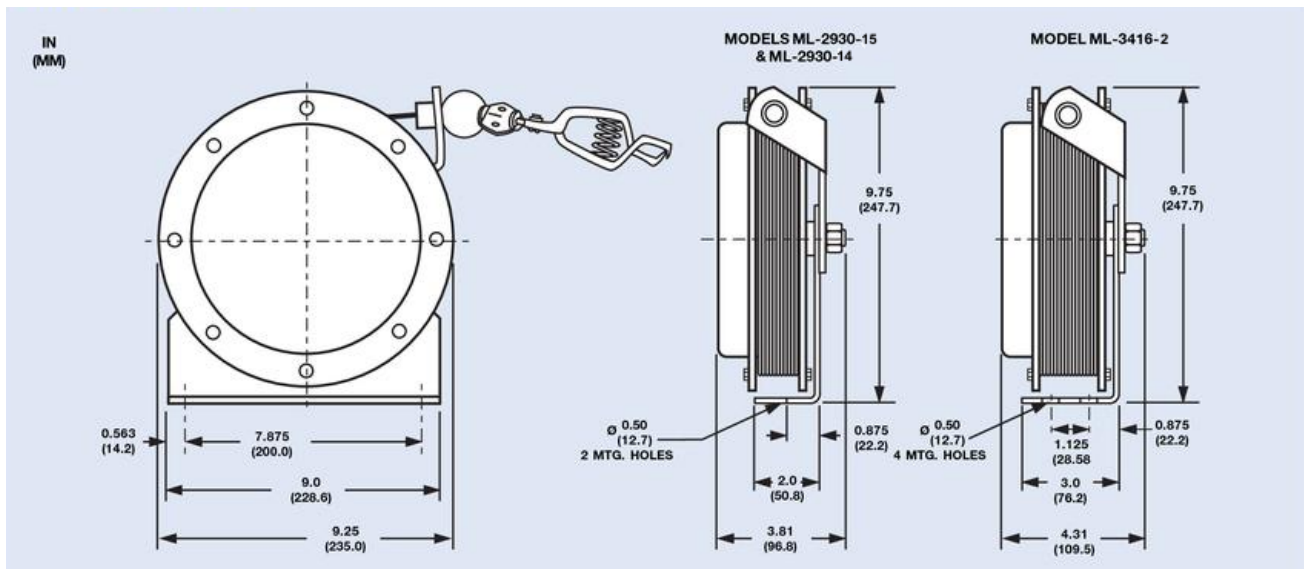
CABLE RETRACTION SPEED: 2-7 ft./sec.

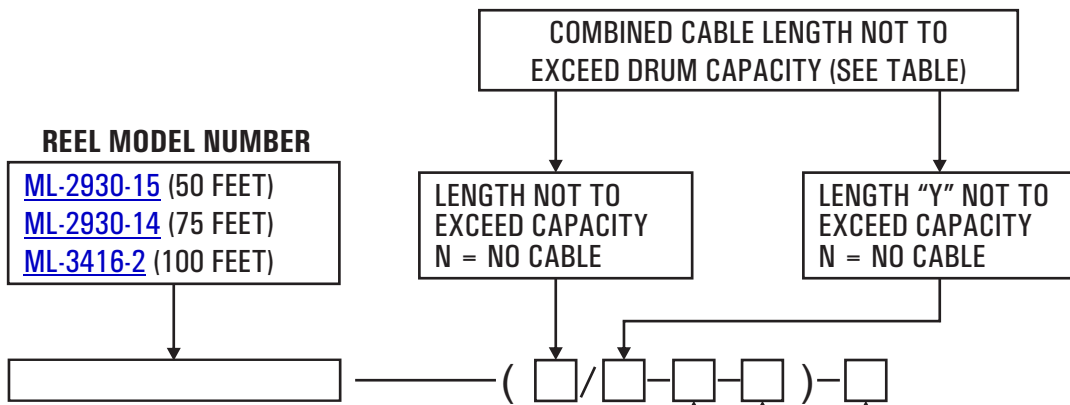
FINISH: Conforms to MIL-Std 808, red paint, Film Designation DG

PACKAGING: Conforms to MIL-P 726, Unit Pack-Level A, Shipping Pack-Level B

OPERATING TEMPERATURE RANGE:
 -65° to 125° F

STORAGE TEMPERATURE RANGE:
 -80° to 160° F





CABLE COLOR (SEE BULLETIN 98)

- C - CLEAR PLASTIC (ONLY 1/8" AND 3/16" DIAMETER)
- E - YELLOW HYTREL (ONLY 5/32" DIAMETER)
- F - YELLOW VINYL (ONLY 1/8" AND 5/32" DIAMETER)
- H - HIGH VISIBILITY ORANGE (ONLY 1/8" AND 3/16" DIAMETER)
- T - SUPER DUTY CLEAR (ONLY 1/8" DIAMETER)

CABLE DIAMETER

- 2 - 1/8" DIAMETER
- 3 - 3/16" DIAMETER
- 4 - 5/32" DIAMETER

CABLE END (SEE BULLETIN 55)

- 1B - GROUNDING PLUG (BRASS GTP-1097B)
- 1S - GROUNDING PLUG (STAINLESS STEEL GTP-1097S-1)
- 2 - SUPER CLAMP (GTP-1101)
- 3 - CLIP (STANDARD GTP-1096C)
- 4 - GATOR CLAMP (GTP-9654)

DRUM CAPACITY TABLE		
	DIAMETER	
	1/8 IN.	3/16 IN.
ML-2930-15	125 FT.	70 FT.
ML-2930-14	130 FT.	70 FT.
ML-3416-2	180 FT.	120 FT.

EXAMPLE:

ML-2930-15-(65/15-D-2)-3-3

CABLE LENGTH IS 65 FEET WITH A 15 FOOT Y BRANCH (AS SHOWN).

CABLE COLOR IS DAY-GLO RED WITH 1/8" DIAMETER CABLE AND TWO GTP-1096C CLIPS.

