

General Description

The deadman system is an electrical control unit designed to provide a means of switching electrical equipment. This equipment can be, pump motor starter coils, control valve solenoids, etc. The deadman system consists of an explosion proof box, a solid state relay (intrinsically safe), electrical cable and a deadman switch handle.

The term intrinsically safe means that the current level going through the cable to the deadman handle is of such low current that it will not create a spark if the cable is nicked and shorted out. This is absolutely essential in hazardous environments. The solid state relay switches line voltage on and off by using this low level current internally, acting as a barrier. This particular system is 120 VAC system with one relay.

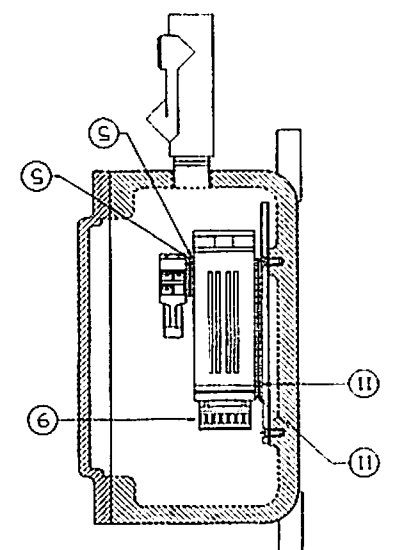
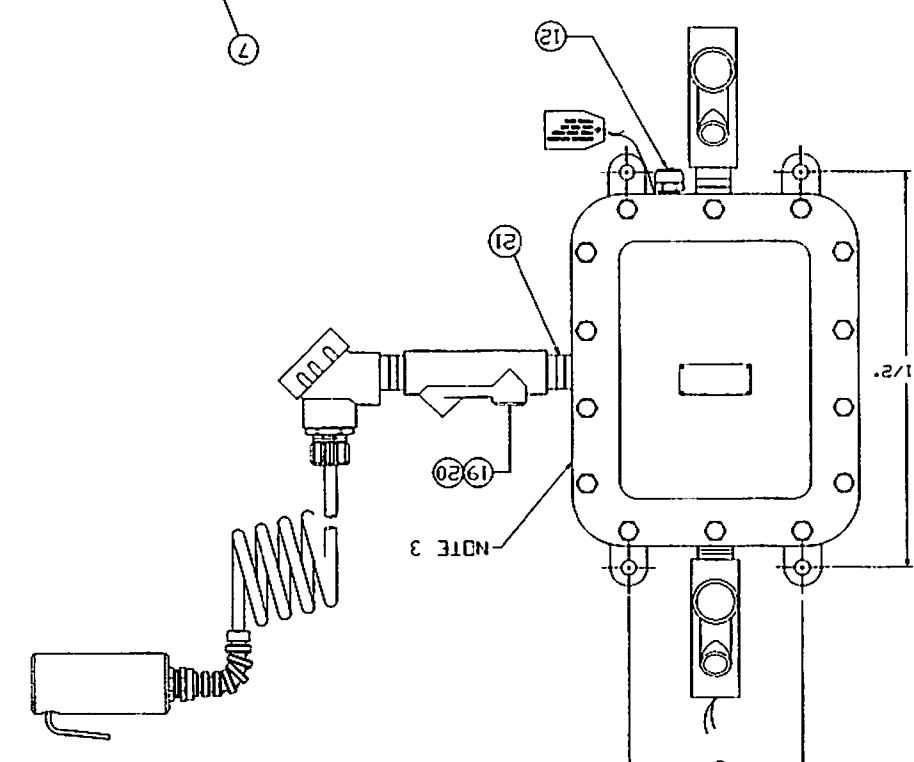
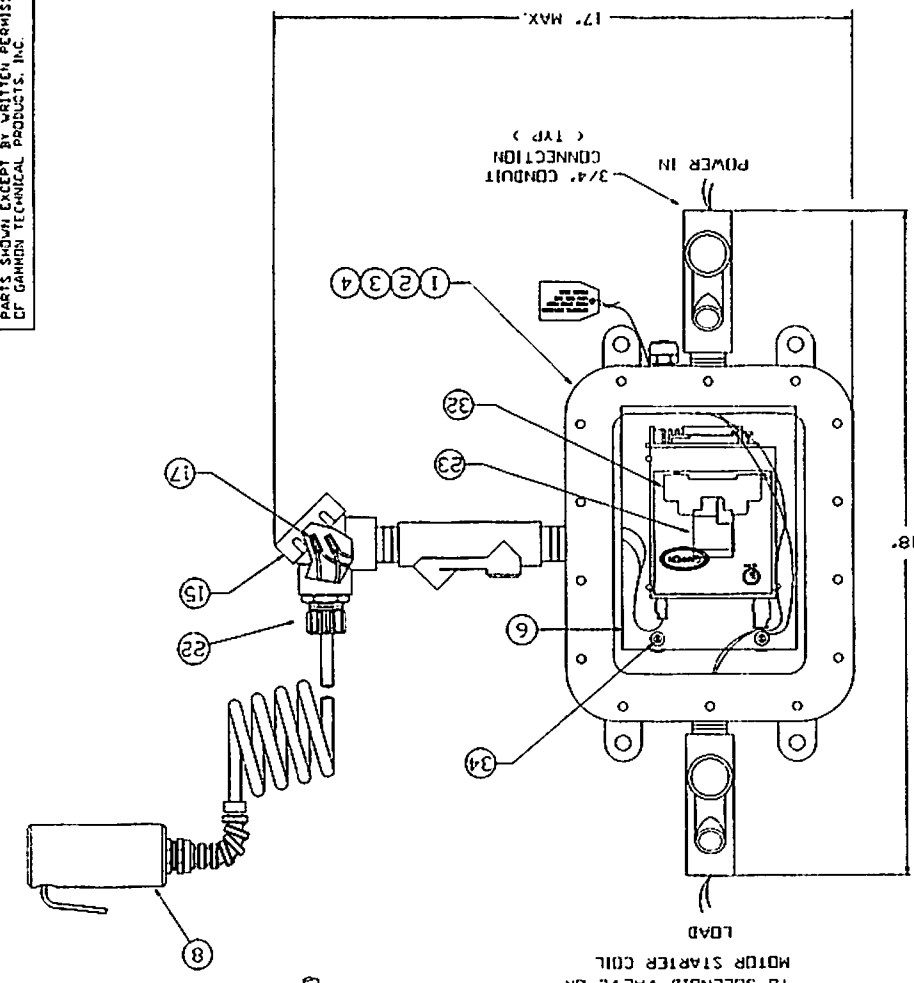
Installation

- 1- The control box mounts by four tabs at the top and bottom of the box (see drawing 1750-1 sheet 2 of 3 for mounting dimensions).
- 2- The control box is equipped with seal-off's and fittings to run 3/4" conduit into the box. Be sure to mount the box with the breather/drain facing down so as to gravity drain any water that may accumulate in the box.
- 3- Make electrical connections (120 VAC) into the control box. Wire the relay inside the control box as shown in the wiring schematic. (see drawing GTP-1750-1W-120).
- 4- Seal the "seal-off's" with provided sealing compound.

Maintenance

A complete parts list is attached.

INFORMATION SHOWN HEREIN IS PROPRIETARY DATA OF GANNON TECHNICAL PRODUCTS, INC. ALL RIGHTS AND TITLES RESERVED AND IS NOT TO BE USED FOR THE REPRODUCTION OF THE PARTS SHOWN EXCEPT BY WRITTEN PERMISSION OF GANNON TECHNICAL PRODUCTS, INC.



- NOTES:
- 1- FOR COMBINATION WEATHER TIGHT AND EXPLOSION PROOF BOX ONLY ADD TEFLON TAPE TO ALL THREADED FITTINGS INTO THE ENCLUSE.
 - 2- TAG VENT WITH THE FOLLOWING AUTOMATIC EXPLOSION PROOF DRAIN MOUNT WITH THIS SIDE FACING DOWN.
 - 3- HAMMER STAMP PART NUMBER AND SERIAL NUMBER ON LID.
 - 4- HEAVY DUTY REEL GTP-3609-1 IS REPAIRABLE.
 - 5- CSA MODELS TO BE ASSEMBLED IN HOUSE AND TESTED, THEN DISASSEMBLED AND SHIPPED BY CERTIFIED CSA ELECTRICIAN.
 - 6- TOTAL BOX DEPTH IS 6 1/2"
 - 7- WHEN GROUNDING CLAMP IS ORDERED, SYSTEM COMES WITH RED AND GREEN INDICATOR LIGHTS.

SINGLE SYSTEM, ONE HANDLE UNIT
VOLTAGE - 120 VAC.

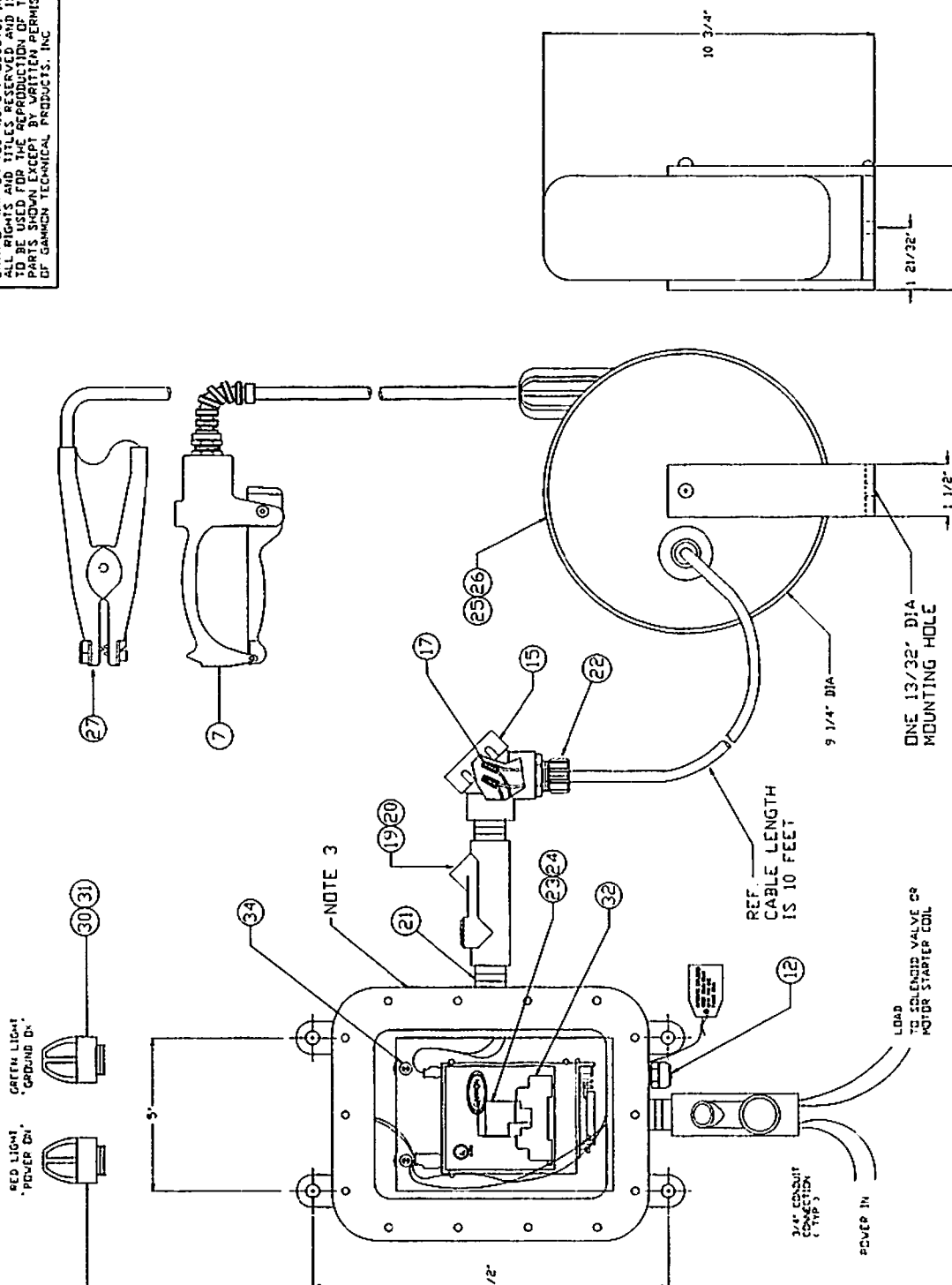
REVISED		DATE		BY		REASON	
1							
2							
3							
4							
5							
6							
7							
8							
9							
10							
11							
12							
13							
14							
15							
16							
17							
18							
19							
20							
21							
22							
23							
24							
25							
26							
27							
28							
29							
30							
31							
32							
33							
34							
35							
36							
37							
38							
39							
40							
41							
42							
43							
44							
45							
46							
47							
48							
49							
50							

GANNON TECHNICAL PRODUCTS, INC.
2300 BRT. ST.
MANNING, NEW JERSEY - U.S.A.

DEADMAN CONTROL SYSTEM
SINGLE SYSTEM, ONE HANDLE UNIT

DATE: 03/08/11
REV: 2 OF 3
DRAWING NO: GTP-1750-1

INFORMATION SHOWN HEREON IS PROPRIETARY DATA OF GANNON TECHNICAL PRODUCTS, INC. ALL RIGHTS AND TITLES RESERVED AND IS NOT TO BE USED FOR THE REPRODUCTION OF THE PARTS SHOWN EXCEPT BY WRITTEN PERMISSION OF GANNON TECHNICAL PRODUCTS, INC.



SINGLE SYSTEM, ONE HANDLE UNIT
VOLTAGE - 120 VAC OR 220 VAC

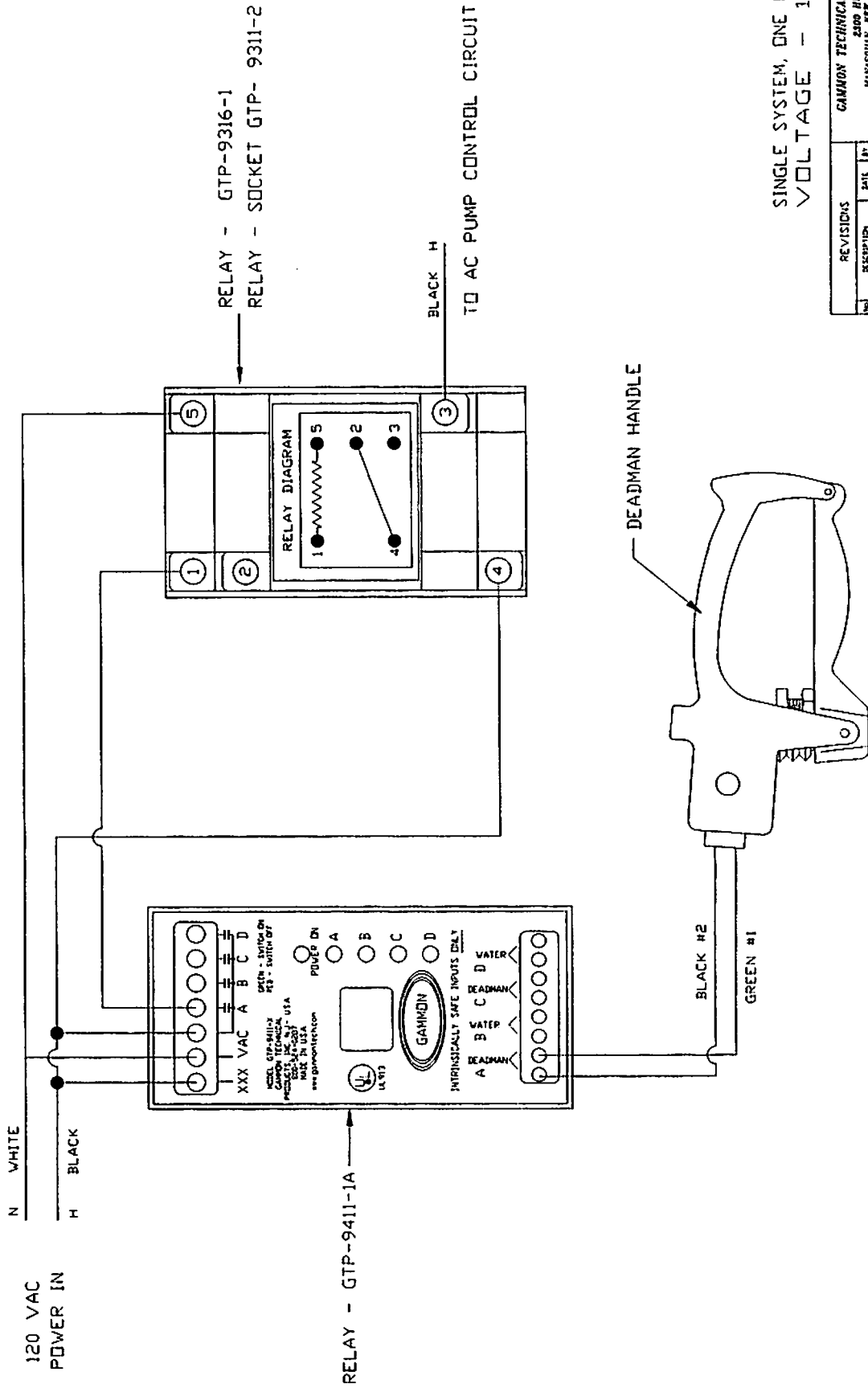
REVISIONS	DATE	BY	CHKD.	DESCRIPTION
1				TITLE DEADMAN CONTROL SYSTEM
2				SINGLE SYSTEM, ONE HANDLE UNIT
3	07/17/06	JAH	JAH	
4				

GANNON TECHNICAL PRODUCTS, INC.
2200 WRT. ST.
MANASQUAN, NEW JERSEY - U.S.A.

- NOTES:
- 1- FOR COMBINATION WEATHER TIGHT AND EXPLOSION PROOF BOX ONLY. ADD TEFLOON TAPE TO ALL THREADED FITTINGS INTO THE ENCLOSURE.
 - 2- TAG VENT WITH THE FOLLOWING AUTOMATIC EXPLOSION PROOF DRAIN MOUNT WITH THIS SIDE FACING DOWN.
 - 3- HAMMER STAMP PART NUMBER AND SERIAL NUMBER ON LID.
 - 4- HEAVY DUTY REEL GTP-3609-1 IS REPAIRABLE.
 - 5- CSA MODELS TO BE ASSEMBLED IN HOUSE AND TESTED, THEN DISASSEMBLED AND SHIPPED. THE PRODUCT IS TO BE ASSEMBLED BY CERTIFIED CSA ELECTRICIAN.
 - 6- TOTAL BOX DEPTH IS 6 1/2"
 - 7- REEL DIMENSIONS ARE FOR STANDARD REEL GTP-9091
 - 8- WHEN GROUNDING CLAMP IS ORDERED, SYSTEM COMES WITH RED AND GREEN INDICATOR LIGHTS.

3 OF 3
GTP-1750-1

INFORMATION SHOWN HEREIN IS PROPRIETARY DATA OF GAMMON TECHNICAL PRODUCTS, INC. ALL RIGHTS ARE RESERVED FOR THIS PRODUCT. NO PARTS SHOWN EXCEPT BY WRITTEN PERMISSION OF GAMMON TECHNICAL PRODUCTS, INC.



SINGLE SYSTEM, ONE HANDLE UNIT
VOLTAGE - 120 VAC

REVISIONS		GAMMON TECHNICAL PRODUCTS, INC.	
NO.	DESCRIPTION	DATE	BY
1			
2			
3			
4			

2300 HWY. 34
MARSHFIELD, NEW JERSEY - U.S.A.

TITLE DEADMAN CONTROL SYSTEM
120 VAC WIRING DIAGRAM

SCALE

JAM

DATE 05/22/13

DRAWING NO. 1750-1V-120